

- 1
- 2
- 3
- 4
- 5
- 6
- 7
- 8
- 9
- 10
- 11
- 12
- 13
- 14
- 15
- 16
- 17
- 18
- 19

**VERSIONS**

- Type **C1** chamfer, top
- Type **C2** chamfer, bottom
- Type **C3** chamfer, right
- Type **C4** chamfer, left

**IDENTIFICATION NO. CATCH**

- **1** without catch
- **2** with catch

**GUIDE / CATCH**

- Steel precision casting
- Zinc plated, blue passivated **ZB**
- Zinc plated and powder coated
- Black, RAL 9005, textured finish **SW**
- Stainless steel precision casting AISI CF-8 **NI**

**LIFTING RING**

- Steel precision casting
- Zinc plated, blue passivated (for **ZB** and **SW**)
- Stainless steel precision casting AISI CF-8 (for **NI**)

**PLUNGER**

- Steel, case-hardened
- Zinc plated, blue passivated **ZB** and **SW**
- Stainless steel AISI 431, hardened **NI**

**SPRING**

AISI 316Ti stainless Steel

**FEATURES AND APPLICATIONS**

Indexing plungers GN 724.6 have a plunger pin with square cross-section, a latching surface on one side and a chamfer on the other. When the object to be secured moves towards the chamfer, the plunger pin is pushed back into the guide, allowing grooves and edges to pass over the pin. The plunger pin engages automatically in the direction of the latching surface.

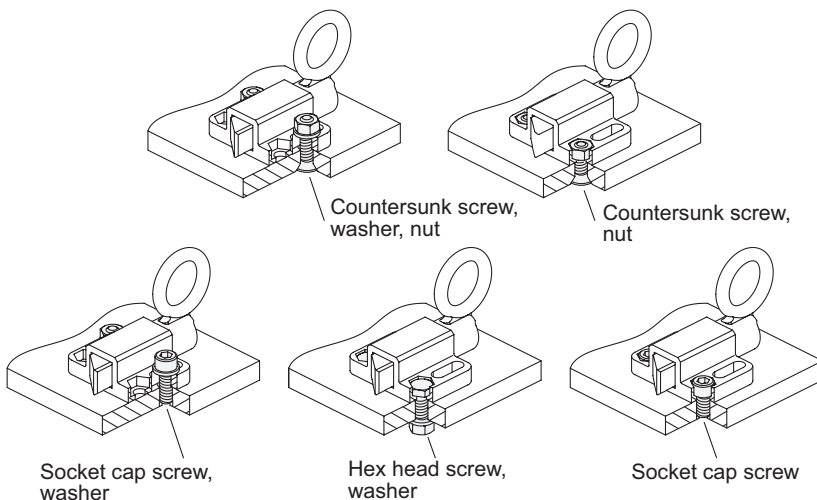
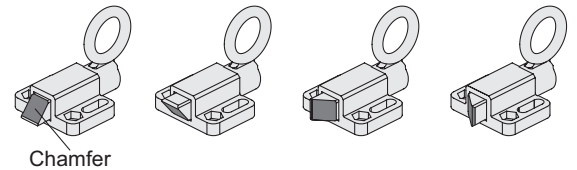
The latching can be released by pulling the pull ring by hand or with a cable or pull rod using a hook. The types with rest position are used when the plunger pin should temporarily not protrude. For this purpose, the pull ring is turned sideways after the plunger pin has been retracted. The ring is held in this position by the catch recess at the top of the guide.

The dimensional tolerances between the pin and the guide have been chosen to ensure functional reliability even in roughly dimensioned applications or in the event of soiling.

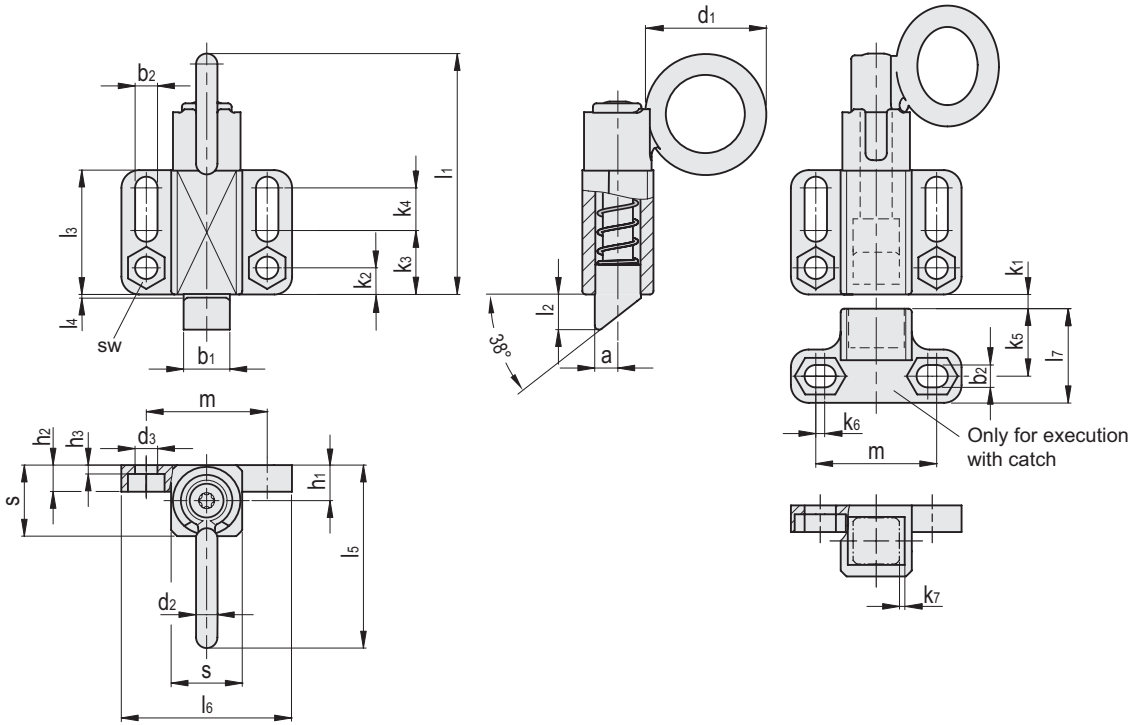
For fastening, slotted or hex mounting holes allow the use of socket cap screws DIN 912 and hex head screws or nuts according to DIN 931 or DIN 934.



GN 724.6-C1 GN 724.6-C2 GN 724.6-C3 GN 724.6-C4



Indexing and positioning elements



GN 724.6-C1-1

Code	Description	d1	d2	d3 +0.2	a	b1	b2 +0.3	h1	h2	h3	k2	k3	k4	l1	l2	l3	l4	l5	l6	s	sw	m	Spring preload [N]	Spring max load [N]	Δ
GN.78773	GN 724.6-13-20-C1-SW-1	34	6	6.1	6.5	13	6.5	10	7.5	1.5	7.5	18	12	68	10	35	1	41.5	48	20	10	34	14	35	185
GN.78775	GN 724.6-13-20-C1-ZB-1	34	6	6.1	6.5	13	6.5	10	7.5	1.5	7.5	18	12	68	10	35	1	41.5	48	20	10	34	14	35	185
GN.78803	GN 724.6-20-30-C1-SW-1	48	9	10.1	10	20	10	15	14	5	14	34	10	102	15	54	1.5	60	80	30	17	55	22	70	741
GN.78805	GN 724.6-20-30-C1-ZB-1	48	9	10.1	10	20	10	15	14	5	14	34	10	102	15	54	1.5	60	80	30	17	55	22	70	741

GN 724.6-C1-2

Code	Description	d1	d2	d3 +0.2	a	b1	b2 +0.3	h1	h2	h3	k1 min	k2	k3	k4	k5	k6	k7	l1	l2	l3	l4	l5	l6	l7	s	sw	m	Spring preload [N]	Spring max load [N]	Δ
GN.78774	GN 724.6-13-20-C1-SW-2	34	6	6.1	6.5	13	6.5	10	7.5	1.5	7.5	18	12	19	2.5	1.5	68	10	35	1	41.5	48	26.5	20	10	34	14	35	238	
GN.78776	GN 724.6-13-20-C1-ZB-2	34	6	6.1	6.5	13	6.5	10	7.5	1.5	7.5	18	12	19	2.5	1.5	68	10	35	1	41.5	48	26.5	20	10	34	14	35	238	
GN.78804	GN 724.6-20-30-C1-SW-2	48	9	10.1	10	20	10	15	14	5	2	14	34	10	27.5	3	2	102	15	54	1.5	60	80	40	30	17	55	22	70	978
GN.78806	GN 724.6-20-30-C1-ZB-2	48	9	10.1	10	20	10	15	14	5	2	14	34	10	27.5	3	2	102	15	54	1.5	60	80	40	30	17	55	22	70	978

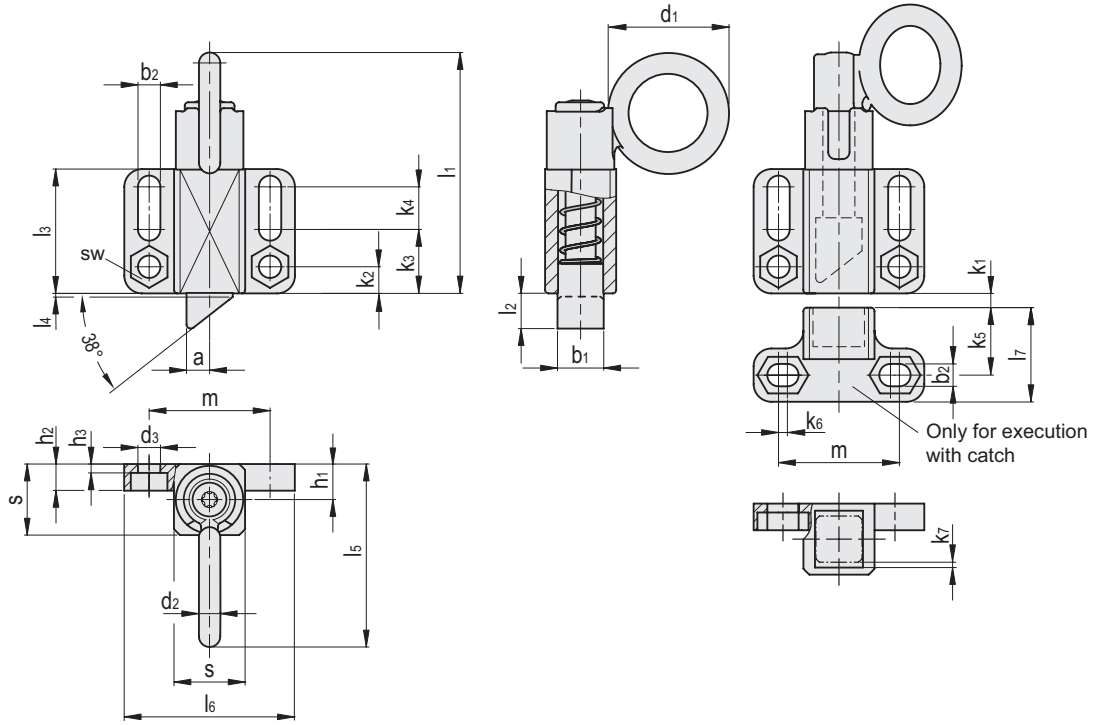
GN 724.6-C2-1

Code	Description	d1	d2	d3 +0.2	a	b1	b2 +0.3	h1	h2	h3	k2	k3	k4	l1	l2	l3	l4	l5	l6	s	sw	m	Spring preload [N]	Spring max load [N]	Δ
GN.78779	GN 724.6-13-20-C2-SW-1	34	6	6.1	6.5	13	6.5	10	7.5	1.5	7.5	18	12	68	10	35	1	41.5	48	20	10	34	14	35	185
GN.78781	GN 724.6-13-20-C2-ZB-1	34	6	6.1	6.5	13	6.5	10	7.5	1.5	7.5	18	12	68	10	35	1	41.5	48	20	10	34	14	35	185
GN.78809	GN 724.6-20-30-C2-SW-1	48	9	10.1	10	20	10	15	14	5	14	34	10	102	15	54	1.5	60	80	30	17	55	22	70	741
GN.78811	GN 724.6-20-30-C2-ZB-1	48	9	10.1	10	20	10	15	14	5	14	34	10	102	15	54	1.5	60	80	30	17	55	22	70	741

GN 724.6-C2-2

Code	Description	d1	d2	d3 +0.2	a	b1	b2 +0.3	h1	h2	h3	k1 min	k2	k3	k4	k5	k6	k7	l1	l2	l3	l4	l5	l6	l7	s	sw	m	Spring preload [N]	Spring max load [N]	Δ
GN.78780	GN 724.6-13-20-C2-SW-2	34	6	6.1	6.5	13	6.5	10	7.5	1.5	7.5	18	12	19	2.5	1.5	68	10	35	1	41.5	48	26.5	20	10	34	14	35	238	
GN.78782	GN 724.6-13-20-C2-ZB-2	34	6	6.1	6.5	13	6.5	10	7.5	1.5	7.5	18	12	19	2.5	1.5	68	10	35	1	41.5	48	26.5	20	10	34	14	35	238	
GN.78810	GN 724.6-20-30-C2-SW-2	48	9	10.1	10	20	10	15	14	5	2	14	34	10	27.5	3	2	102	15	54	1.5	60	80	40	30	17	55	22	70	978
GN.78812	GN 724.6-20-30-C2-ZB-2	48	9	10.1	10	20	10	15	14	5	2	14	34	10	27.5	3	2	102	15	54	1.5	60	80	40	30	17	55	22	70	978





**GN 724.6-C3-1**

Code	Description	d1	d2	d3 +0.2	a	b1	b2 +0.3	h1	h2	h3	k2	k3	k4	l1	l2	l3	l4	l5	l6	s	sw	m	Spring preload [N]	Spring max load [N]	$\Delta$
GN.78785	GN 724.6-13-20-C3-SW-1	34	6	6.1	6.5	13	6.5	10	7.5	1.5	7.5	18	12	68	10	35	1	41.5	48	20	10	34	14	35	185
GN.78787	GN 724.6-13-20-C3-ZB-1	34	6	6.1	6.5	13	6.5	10	7.5	1.5	7.5	18	12	68	10	35	1	41.5	48	20	10	34	14	35	185
GN.78815	GN 724.6-20-30-C3-SW-1	48	9	10.1	10	20	10	15	14	5	14	34	10	102	15	54	1.5	60	80	30	17	55	22	70	741
GN.78817	GN 724.6-20-30-C3-ZB-1	48	9	10.1	10	20	10	15	14	5	14	34	10	102	15	54	1.5	60	80	30	17	55	22	70	741

**GN 724.6-C3-2**

Code	Description	d1	d2	d3 +0.2	a	b1	b2 +0.3	h1	h2	h3	k1 min	k2	k3	k4	k5	k6	k7	l1	l2	l3	l4	l5	l6	l7	s	sw	m	Spring preload [N]	Spring max load [N]	$\Delta$
GN.78786	GN 724.6-13-20-C3-SW-2	34	6	6.1	6.5	13	6.5	10	7.5	1.5	1.5	7.5	18	12	19	2.5	1.5	68	10	35	1	41.5	48	26.5	20	10	34	14	35	238
GN.78788	GN 724.6-13-20-C3-ZB-2	34	6	6.1	6.5	13	6.5	10	7.5	1.5	1.5	7.5	18	12	19	2.5	1.5	68	10	35	1	41.5	48	26.5	20	10	34	14	35	238
GN.78816	GN 724.6-20-30-C3-SW-2	48	9	10.1	10	20	10	15	14	5	2	14	34	10	27.5	3	2	102	15	54	1.5	60	80	40	30	17	55	22	70	978
GN.78818	GN 724.6-20-30-C3-ZB-2	48	9	10.1	10	20	10	15	14	5	2	14	34	10	27.5	3	2	102	15	54	1.5	60	80	40	30	17	55	22	70	978

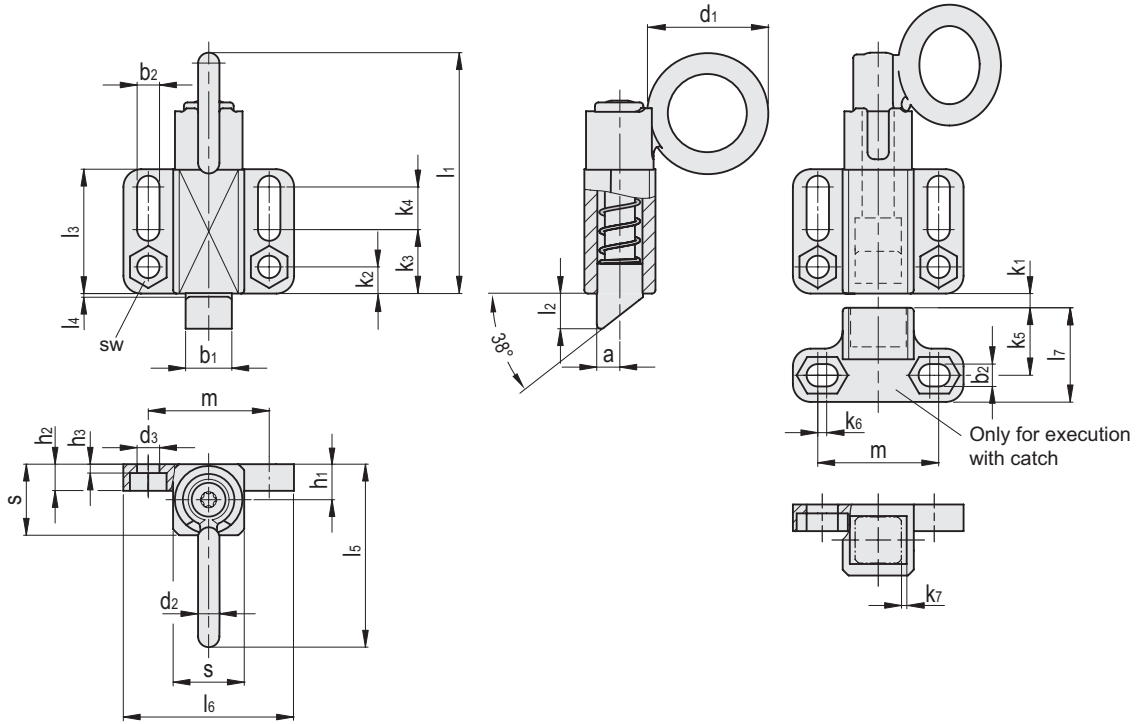
**GN 724.6-C4-1**

Code	Description	d1	d2	d3 +0.2	a	b1	b2 +0.3	h1	h2	h3	k2	k3	k4	l1	l2	l3	l4	l5	l6	s	sw	m	Spring preload [N]	Spring max load [N]	$\Delta$
GN.78791	GN 724.6-13-20-C4-SW-1	34	6	6.1	6.5	13	6.5	10	7.5	1.5	7.5	18	12	68	10	35	1	41.5	48	20	10	34	14	35	185
GN.78793	GN 724.6-13-20-C4-ZB-1	34	6	6.1	6.5	13	6.5	10	7.5	1.5	7.5	18	12	68	10	35	1	41.5	48	20	10	34	14	35	185
GN.78821	GN 724.6-20-30-C4-SW-1	48	9	10.1	10	20	10	15	14	5	14	34	10	102	15	54	1.5	60	80	30	17	55	22	70	741
GN.78823	GN 724.6-20-30-C4-ZB-1	48	9	10.1	10	20	10	15	14	5	14	34	10	102	15	54	1.5	60	80	30	17	55	22	70	741

**GN 724.6-C4-2**

Code	Description	d1	d2	d3 +0.2	a	b1	b2 +0.3	h1	h2	h3	k1 min	k2	k3	k4	k5	k6	k7	l1	l2	l3	l4	l5	l6	l7	s	sw	m	Spring preload [N]	Spring max load [N]	$\Delta$
GN.78792	GN 724.6-13-20-C4-SW-2	34	6	6.1	6.5	13	6.5	10	7.5	1.5	1.5	7.5	18	12	19	2.5	1.5	68	10	35	1	41.5	48	26.5	20	10	34	14	35	238
GN.78794	GN 724.6-13-20-C4-ZB-2	34	6	6.1	6.5	13	6.5	10	7.5	1.5	1.5	7.5	18	12	19	2.5	1.5	68	10	35	1	41.5	48	26.5	20	10	34	14	35	238
GN.78822	GN 724.6-20-30-C4-SW-2	48	9	10.1	10	20	10	15	14	5	2	14	34	10	27.5	3	2	102	15	54	1.5	60	80	40	30	17	55	22	70	978
GN.78824	GN 724.6-20-30-C4-ZB-2	48	9	10.1	10	20	10	15	14	5	2	14	34	10	27.5	3	2	102	15	54	1.5	60	80	40	30	17	55	22	70	978

Indexing and positioning elements



GN 724.6-C1-NI-1

INOX STAINLESS STEEL

Code	Description	d1	d2	d3 +0.2	a	b1	b2 +0.3	h1	h2	h3	k2	k3	k4	l1	l2	l3	l4	l5	l6	s	sw	m	Spring preload [N]	Spring max load [N]	$\Delta$
GN.78771	GN 724.6-13-20-C1-NI-1	34	6	6.1	6.5	13	6.5	10	7.5	1.5	7.5	18	12	68	10	35	1	41.5	48	20	10	34	14	35	185
GN.78801	GN 724.6-20-30-C1-NI-1	48	9	10.1	10	20	10	15	14	5	14	34	10	102	15	54	1.5	60	80	30	17	55	22	70	744

GN 724.6-C1-NI-2

Code	Description	d1	d2	d3 +0.2	a	b1	b2 +0.3	h1	h2	h3	k1 min	k2	k3	k4	k5	k6	k7	l1	l2	l3	l4	l5	l6	l7	s	sw	m	Spring preload [N]	Spring max load [N]	$\Delta$
GN.78772	GN 724.6-13-20-C1-NI-2	34	6	6.1	6.5	13	6.5	10	7.5	1.5	1.5	7.5	18	12	19	2.5	1.5	68	10	35	1	41.5	48	26.5	20	10	34	14	35	237
GN.78802	GN 724.6-20-30-C1-NI-2	48	9	10.1	10	20	10	15	14	5	2	14	34	10	27.5	3	2	102	15	54	1.5	60	80	40	30	17	55	22	70	982

GN 724.6-C2-NI-1

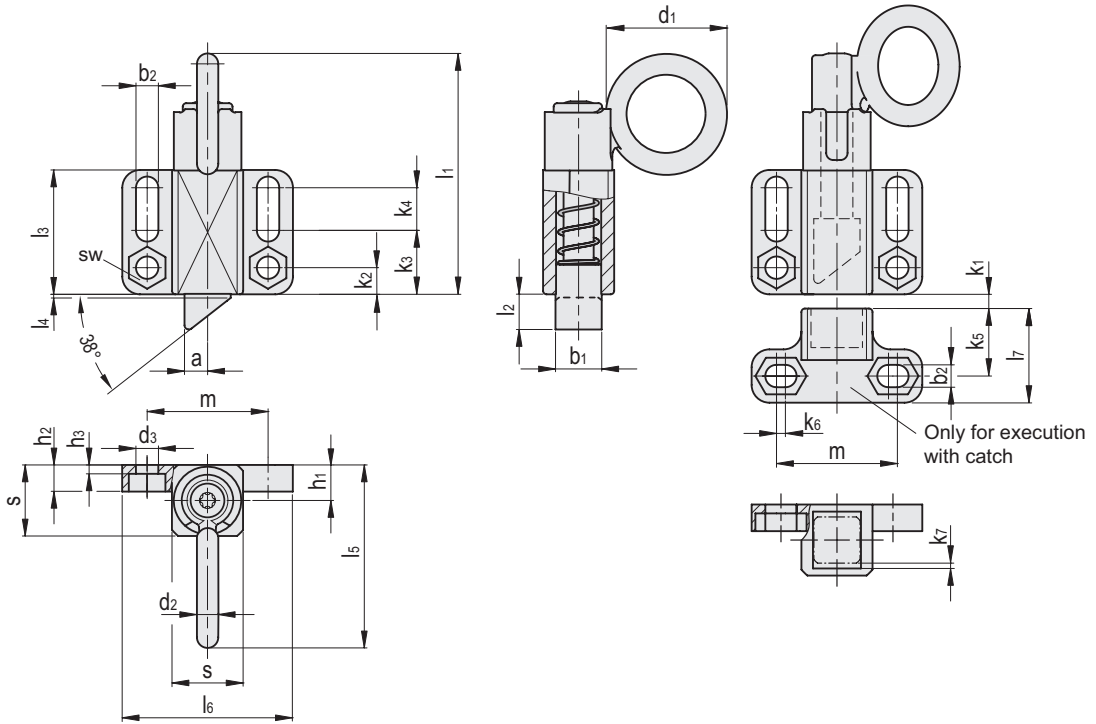
Code	Description	d1	d2	d3 +0.2	a	b1	b2 +0.3	h1	h2	h3	k2	k3	k4	l1	l2	l3	l4	l5	l6	s	sw	m	Spring preload [N]	Spring max load [N]	$\Delta$
GN.78777	GN 724.6-13-20-C2-NI-1	34	6	6.1	6.5	13	6.5	10	7.5	1.5	7.5	18	12	68	10	35	1	41.5	48	20	10	34	14	35	185
GN.78807	GN 724.6-20-30-C2-NI-1	48	9	10.1	10	20	10	15	14	5	14	34	10	102	15	54	1.5	60	80	30	17	55	22	70	744

GN 724.6-C2-NI-2

Code	Description	d1	d2	d3 +0.2	a	b1	b2 +0.3	h1	h2	h3	k1 min	k2	k3	k4	k5	k6	k7	l1	l2	l3	l4	l5	l6	l7	s	sw	m	Spring preload [N]	Spring max load [N]	$\Delta$
GN.78778	GN 724.6-13-20-C2-NI-2	34	6	6.1	6.5	13	6.5	10	7.5	1.5	1.5	7.5	18	12	19	2.5	1.5	68	10	35	1	41.5	48	26.5	20	10	34	14	35	237
GN.78808	GN 724.6-20-30-C2-NI-2	48	9	10.1	10	20	10	15	14	5	2	14	34	10	27.5	3	2	102	15	54	1.5	60	80	40	30	17	55	22	70	982



- 1
- 2
- 3
- 4
- 5
- 6
- 7
- 8
- 9
- 10
- 11
- 12
- 13
- 14
- 15
- 16
- 17
- 18
- 19



**INOX** STAINLESS STEEL

**GN 724.6-C3-NI-1**

Code	Description	d1	d2	d3 +0.2	a	b1	b2 +0.3	h1	h2	h3	k2	k3	k4	l1	l2	l3	l4	l5	l6	s	sw	m	Spring preload [N]	Spring max load [N]	Δ
GN.78783	GN 724.6-13-20-C3-NI-1	34	6	6.1	6.5	13	6.5	10	7.5	1.5	7.5	18	12	68	10	35	1	41.5	48	20	10	34	14	35	185
GN.78813	GN 724.6-20-30-C3-NI-1	48	9	10.1	10	20	10	15	14	5	14	34	10	102	15	54	1.5	60	80	30	17	55	22	70	744

**GN 724.6-C3-NI-2**

Code	Description	d1	d2	d3 +0.2	a	b1	b2 +0.3	h1	h2	h3	k1 min	k2	k3	k4	k5	k6	k7	l1	l2	l3	l4	l5	l6	l7	s	sw	m	Spring preload [N]	Spring max load [N]	Δ
GN.78784	GN 724.6-13-20-C3-NI-2	34	6	6.1	6.5	13	6.5	10	7.5	1.5	1.5	7.5	18	12	19	2.5	1.5	68	10	35	1	41.5	48	26.5	20	10	34	14	35	237
GN.78814	GN 724.6-20-30-C3-NI-2	48	9	10.1	10	20	10	15	14	5	2	14	34	10	27.5	3	2	102	15	54	1.5	60	80	40	30	17	55	22	70	982

**GN 724.6-C4-NI-1**

Code	Description	d1	d2	d3 +0.2	a	b1	b2 +0.3	h1	h2	h3	k2	k3	k4	l1	l2	l3	l4	l5	l6	s	sw	m	Spring preload [N]	Spring max load [N]	Δ
GN.78789	GN 724.6-13-20-C4-NI-1	34	6	6.1	6.5	13	6.5	10	7.5	1.5	7.5	18	12	68	10	35	1	41.5	48	20	10	34	14	35	185
GN.78819	GN 724.6-20-30-C4-NI-1	48	9	10.1	10	20	10	15	14	5	14	34	10	102	15	54	1.5	60	80	30	17	55	22	70	744

**GN 724.6-C4-NI-2**

Code	Description	d1	d2	d3 +0.2	a	b1	b2 +0.3	h1	h2	h3	k1 min	k2	k3	k4	k5	k6	k7	l1	l2	l3	l4	l5	l6	l7	s	sw	m	Spring preload [N]	Spring max load [N]	Δ
GN.78790	GN 724.6-13-20-C4-NI-2	34	6	6.1	6.5	13	6.5	10	7.5	1.5	1.5	7.5	18	12	19	2.5	1.5	68	10	35	1	41.5	48	26.5	20	10	34	14	35	237
GN.78820	GN 724.6-20-30-C4-NI-2	48	9	10.1	10	20	10	15	14	5	2	14	34	10	27.5	3	2	102	15	54	1.5	60	80	40	30	17	55	22	70	982

Indexing and positioning elements